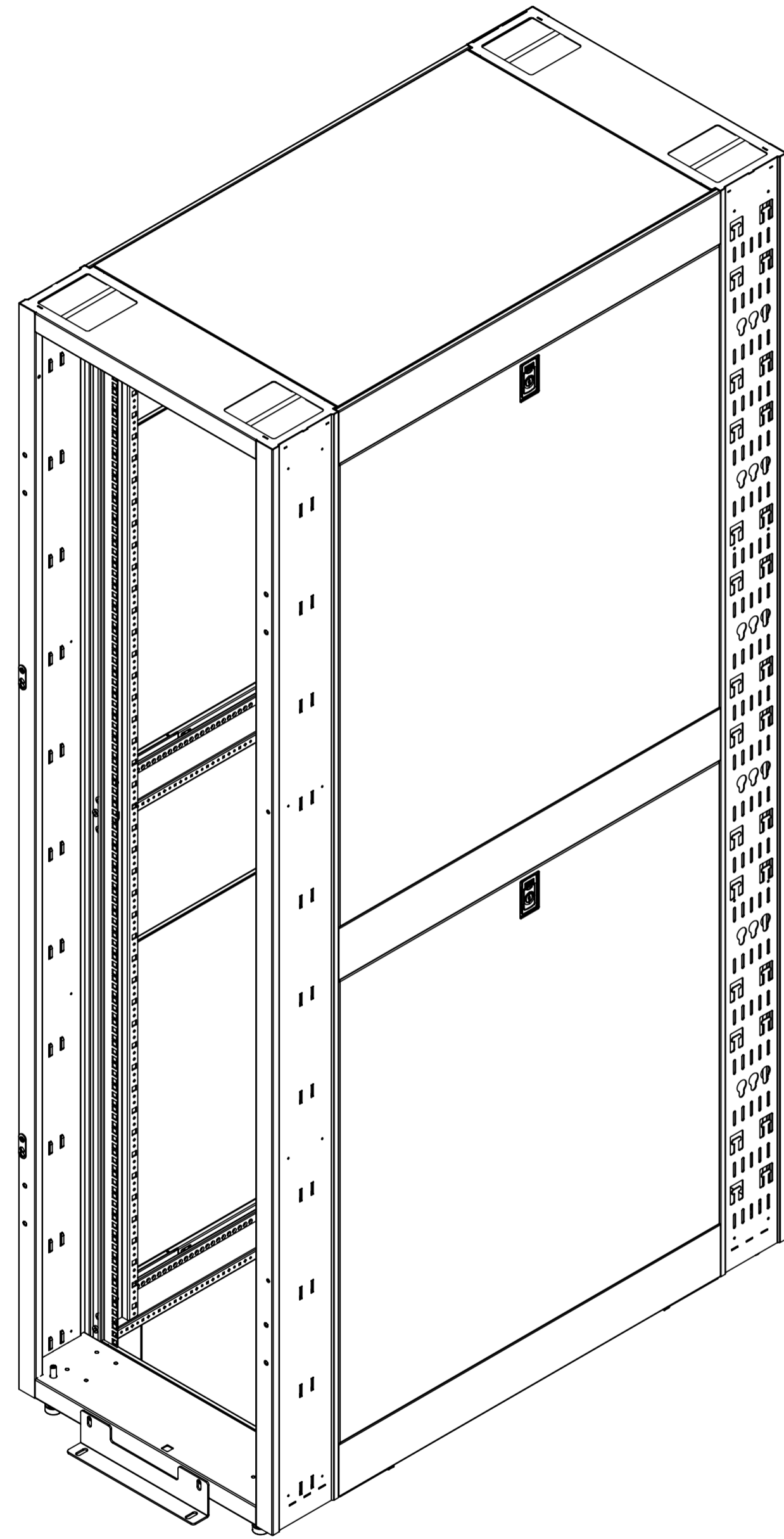
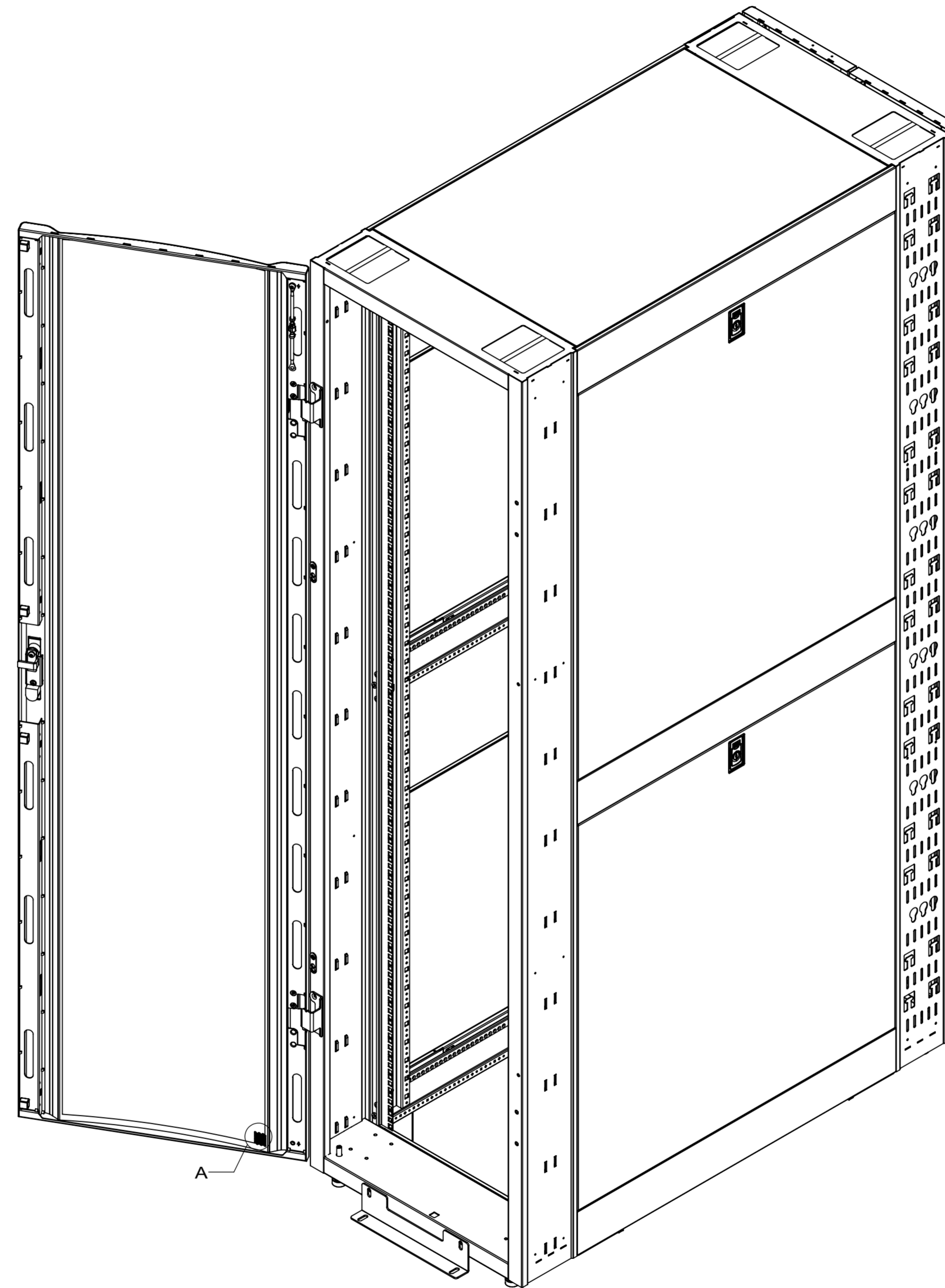


THIS DRAWING AND SPECIFICATIONS HEREIN ARE THE PROPERTY OF ENCONNEX LLC AND SHALL NOT BE COPIED, REPRODUCED OR USED IN WHOLE OR IN PART AS THE BASIS FOR THE MANUFACTURE OR SALE OF ITEMS WITHOUT THE WRITTEN PERMISSION OF ENCONNEX LLC. THIS DRAWING IS SUBJECT TO CHANGE WITHOUT NOTICE.

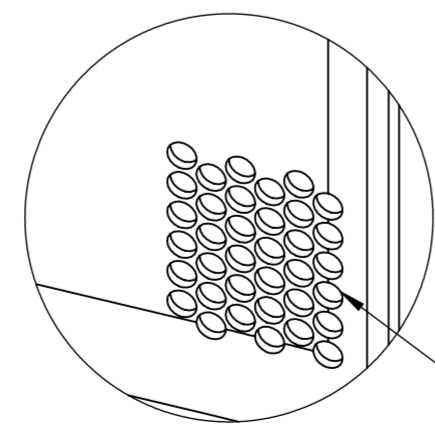
REVISIONS				
REV.	SUFFIX	DESCRIPTION	DATE	APPROVED
1		RELEASE FOR MANUFACTURE	2020/3/30	ROBERT FAULKNER



WITHOUT DOOR CONFIGURATION

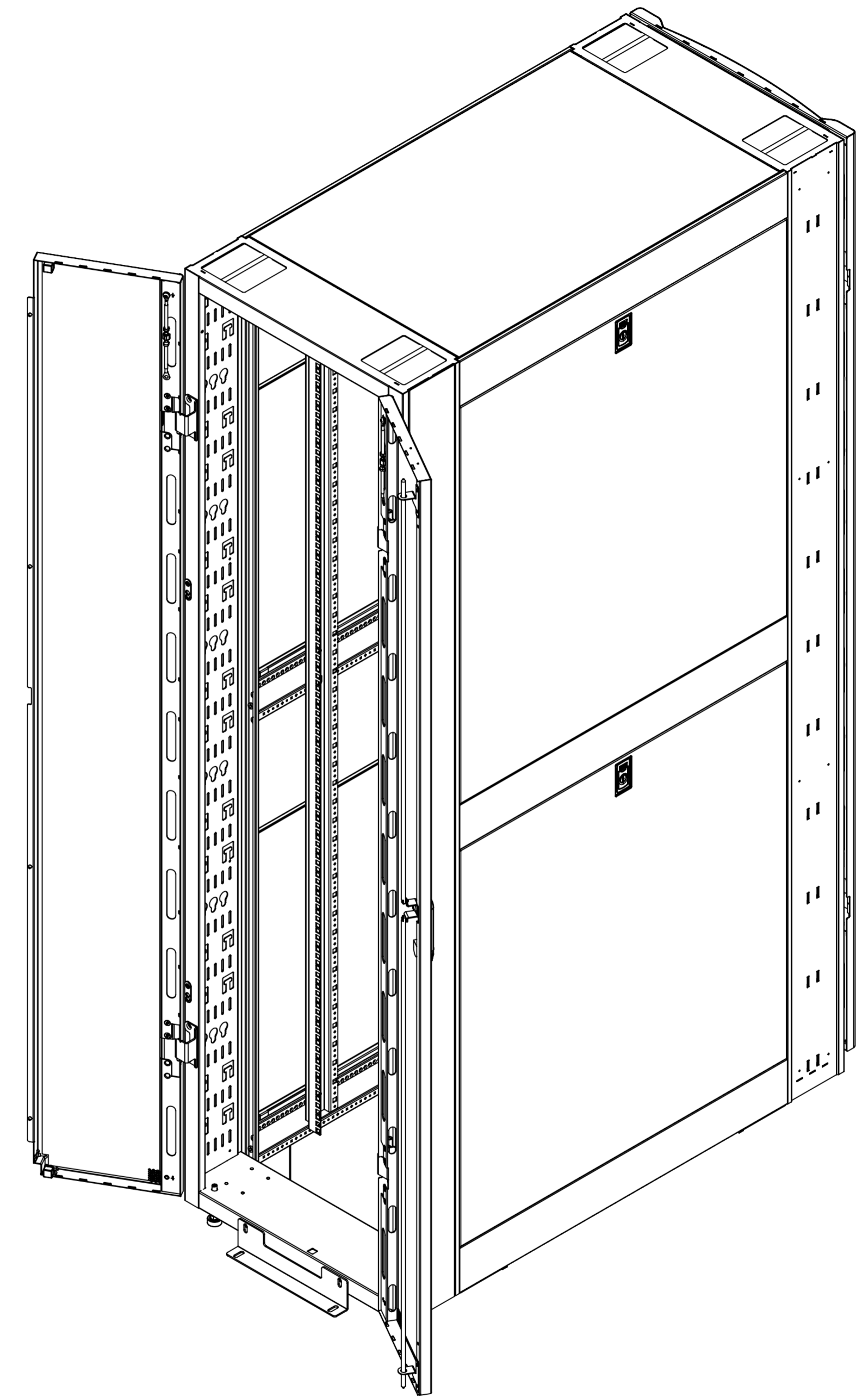


WITH DOOR CONFIGURATION  
FRONT DOOR VIEW



VIEW A  
SCALE 1:1

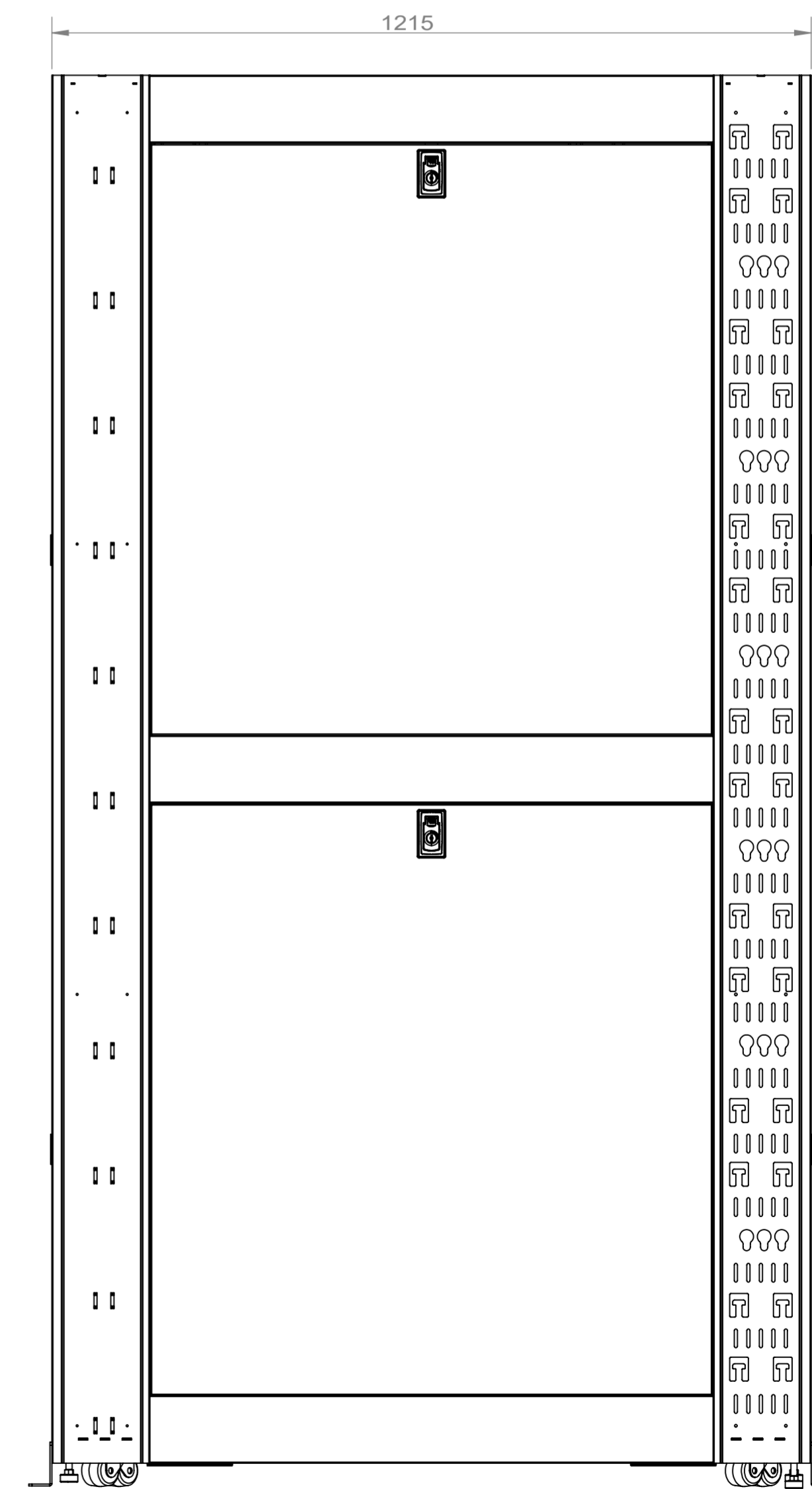
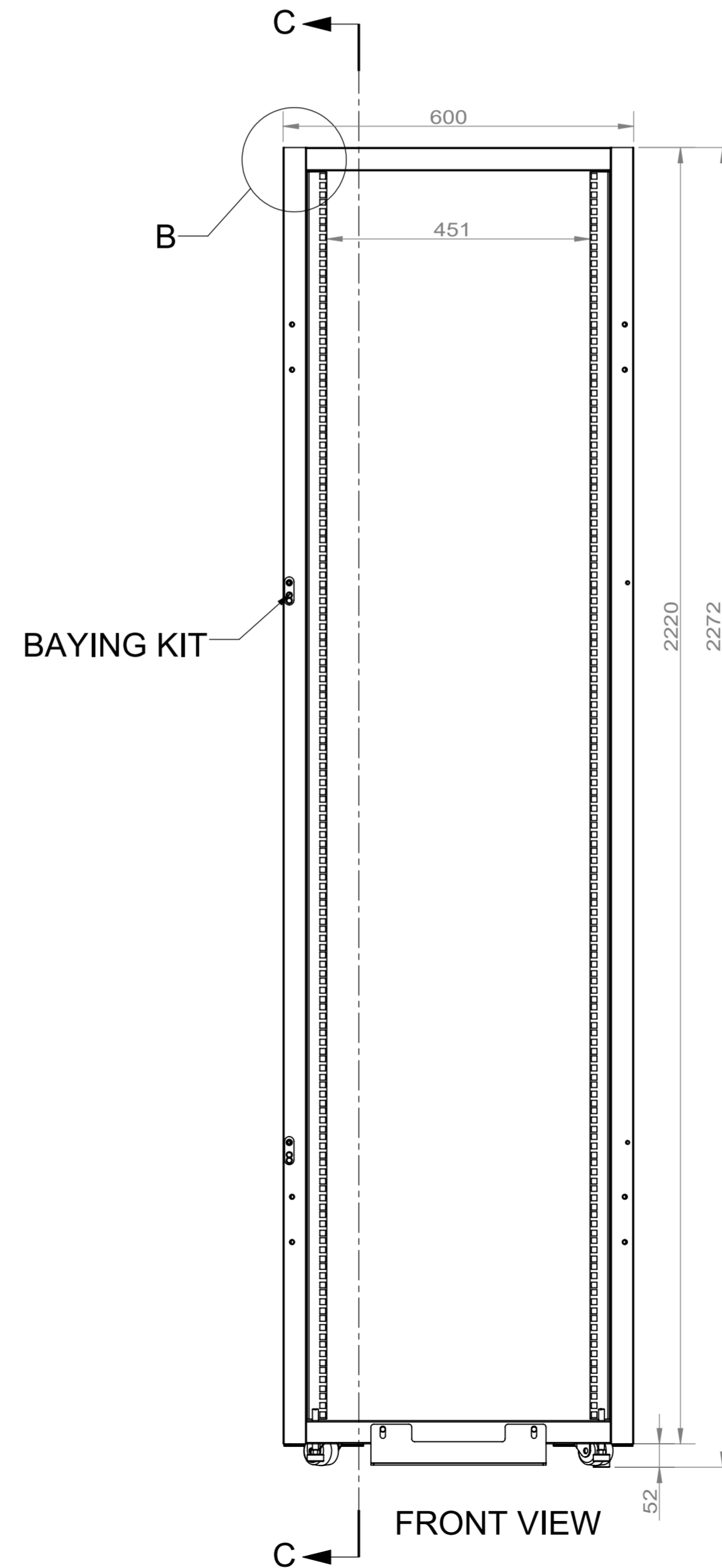
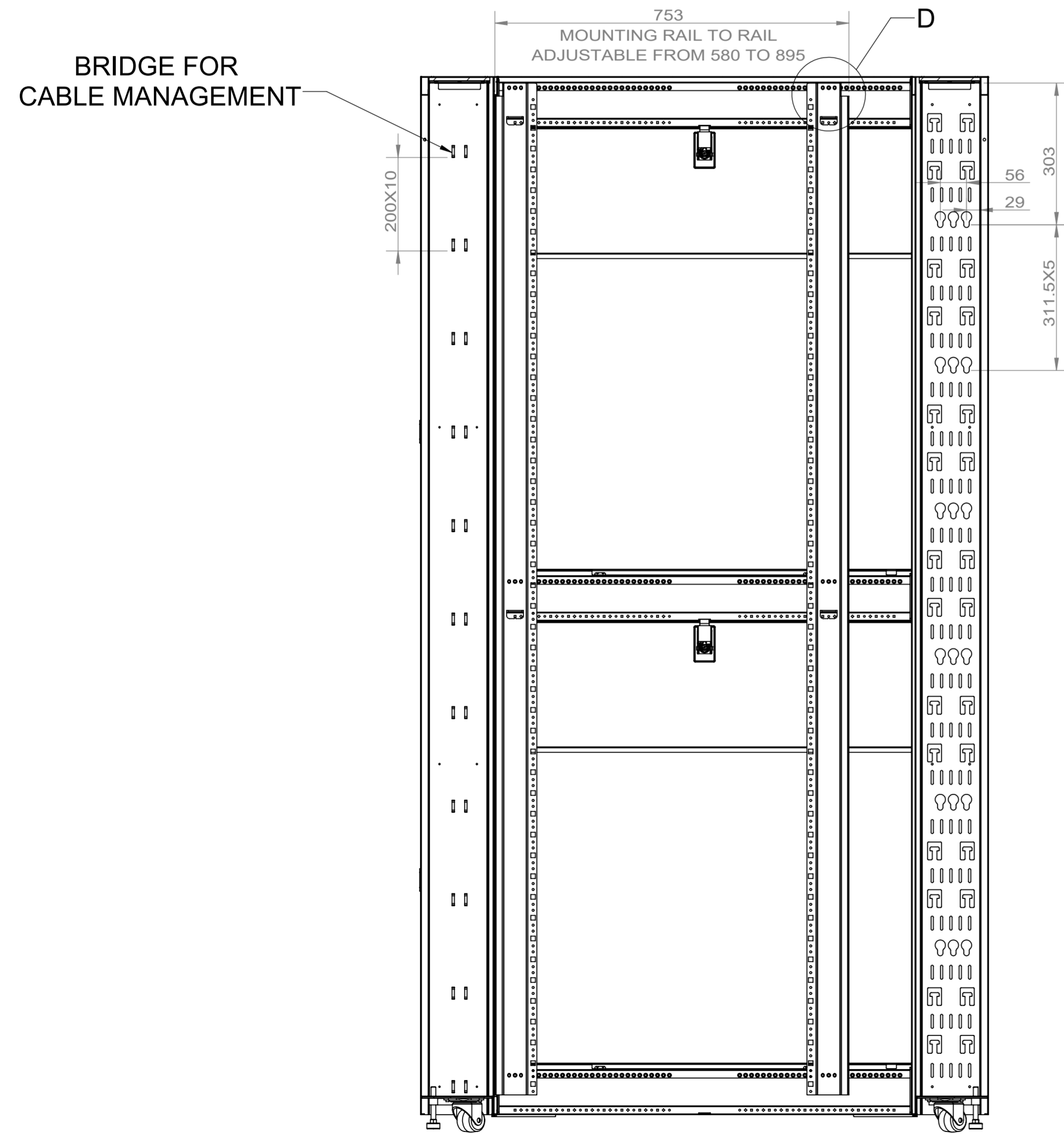
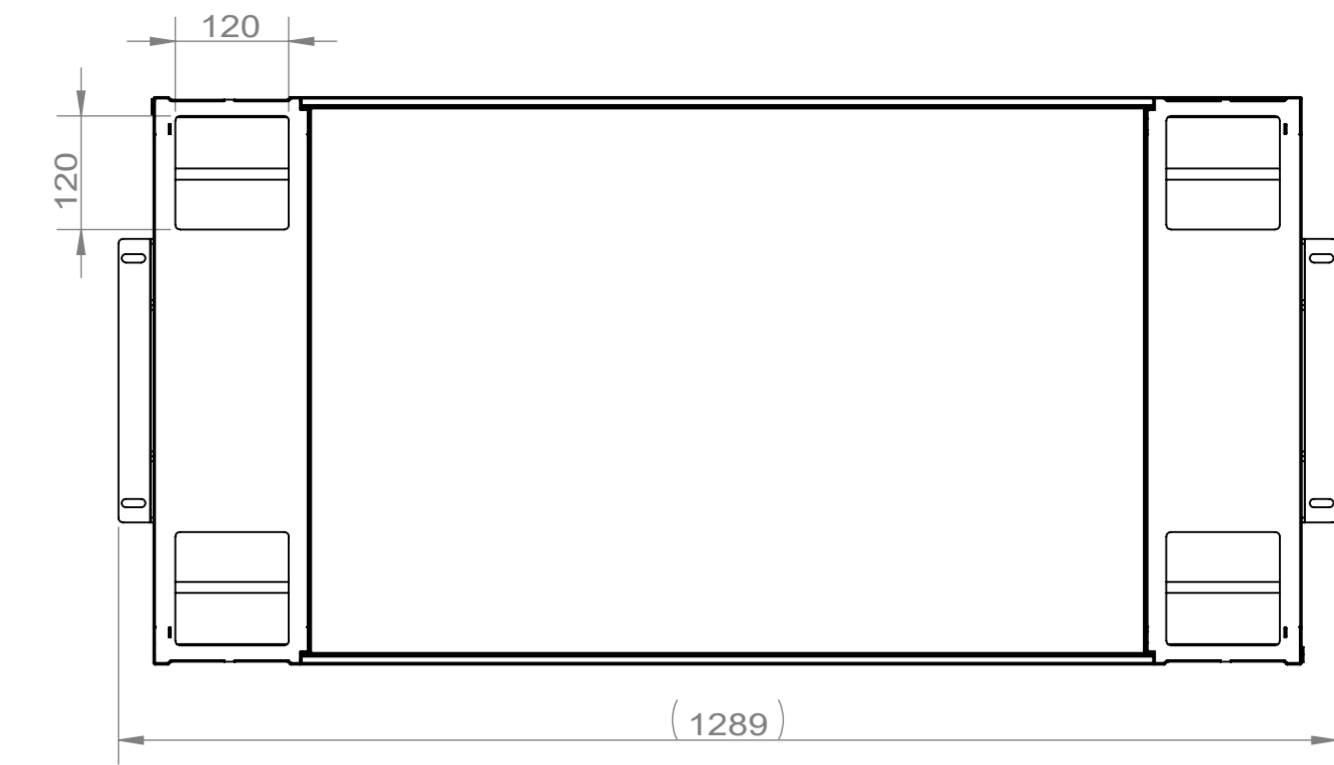
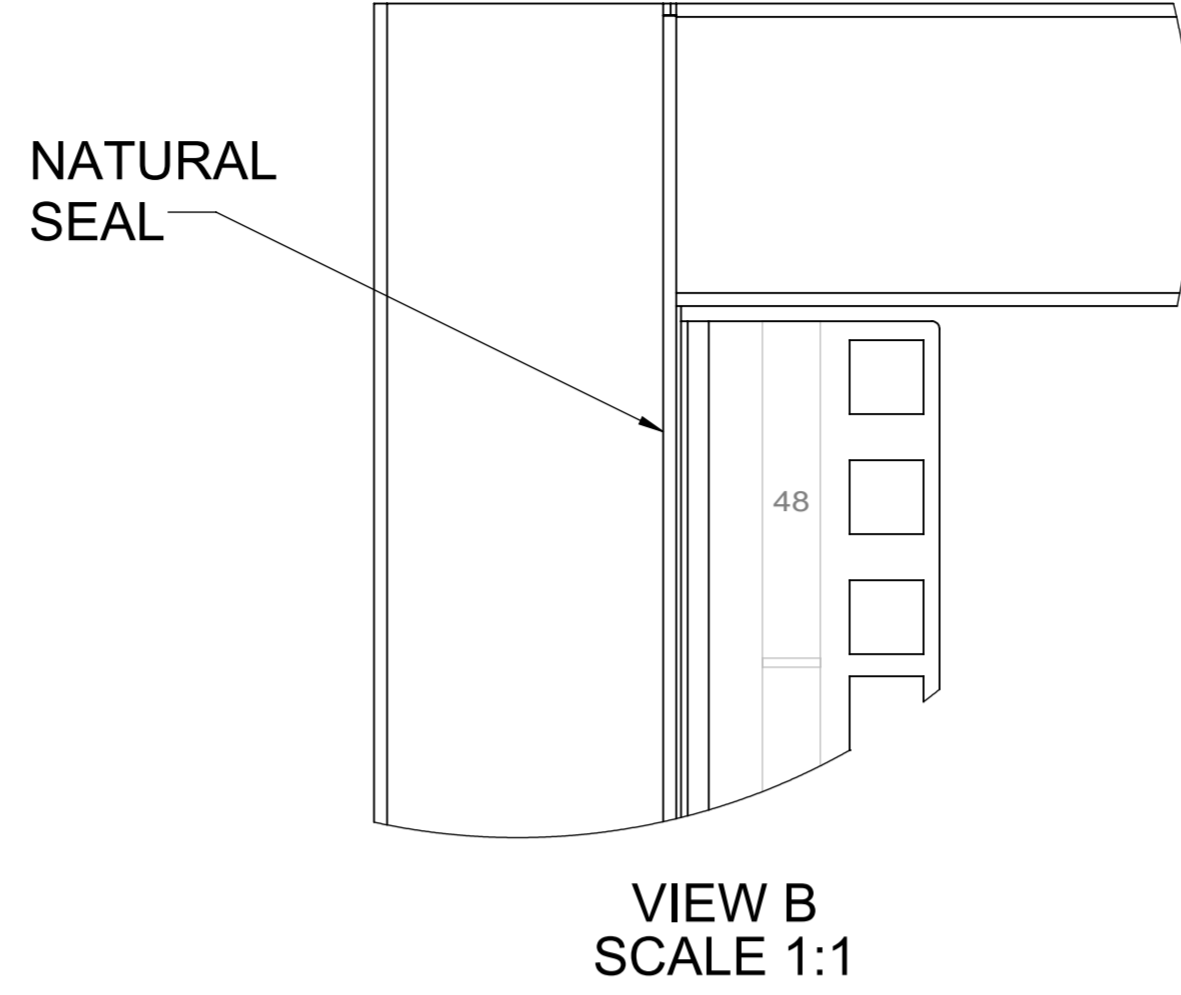
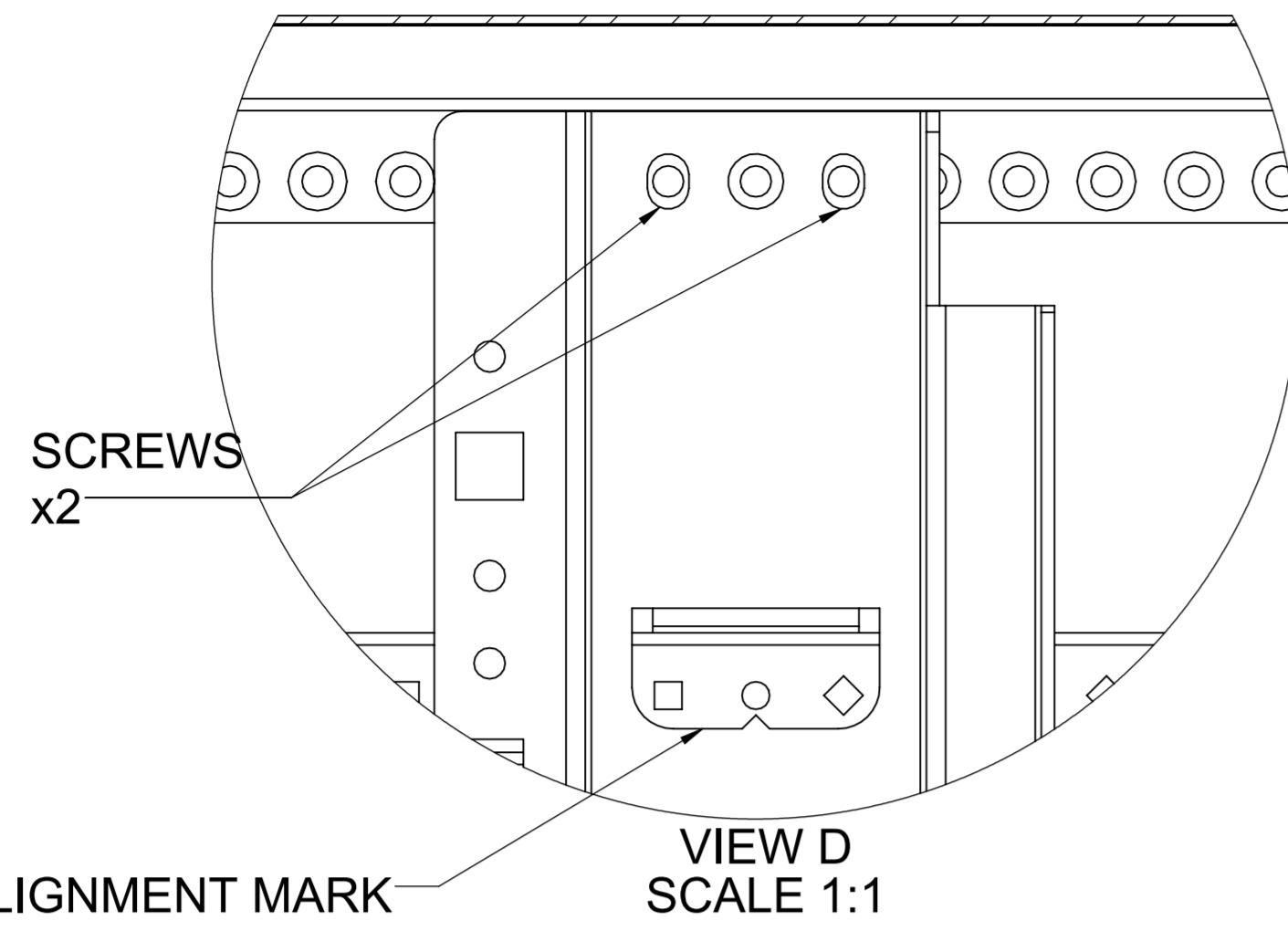
PERFORATED



WITH DOOR CONFIGURATION  
REAR DOOR VIEW

	4670 AIR-CENTER	PRODUCT LINE	ENGINEER	DRG DATE
	CIRCLE-RING	OC-SERIES CABINET	FANCY-FAN	2020-03-26
	NV89502	PART NUMBER	DRAWN	REV DATE
		ECA-DIG-61248-CD	FANCY-FAN	2020-03-26
		DESCRIPTION	ITEM WEIGHT (REFERENCE ONLY)	REV: 1
			120KG W/O DOOR	
		UNITS:MM/IN	INTERPRET TO ASME Y14.100	SCALE:1:1
		SIZE: B	SCALE:1:1	DO NOT SCALE DRAWING
				SHEET:

THIS DRAWING AND SPECIFICATIONS HEREIN ARE THE PROPERTY OF ENCONNEX LLC AND SHALL NOT BE COPIED, REPRODUCED OR USED IN WHOLE OR IN PART AS THE BASIS FOR THE MANUFACTURE OR SALE OF ITEMS WITHOUT THE WRITTEN PERMISSION OF ENCONNEX LLC. THIS DRAWING IS SUBJECT TO CHANGE WITHOUT NOTICE.



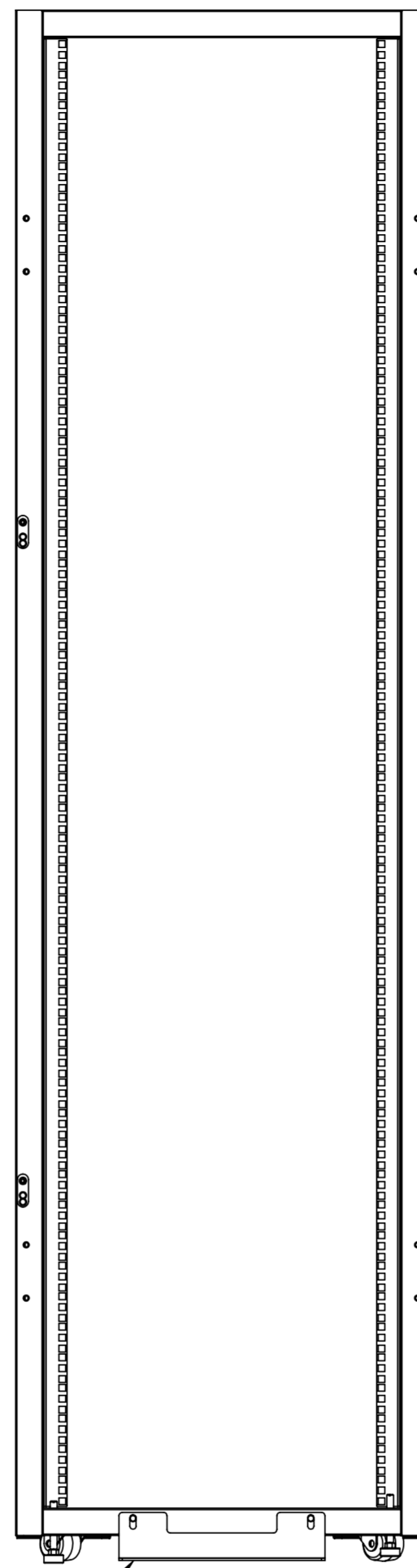
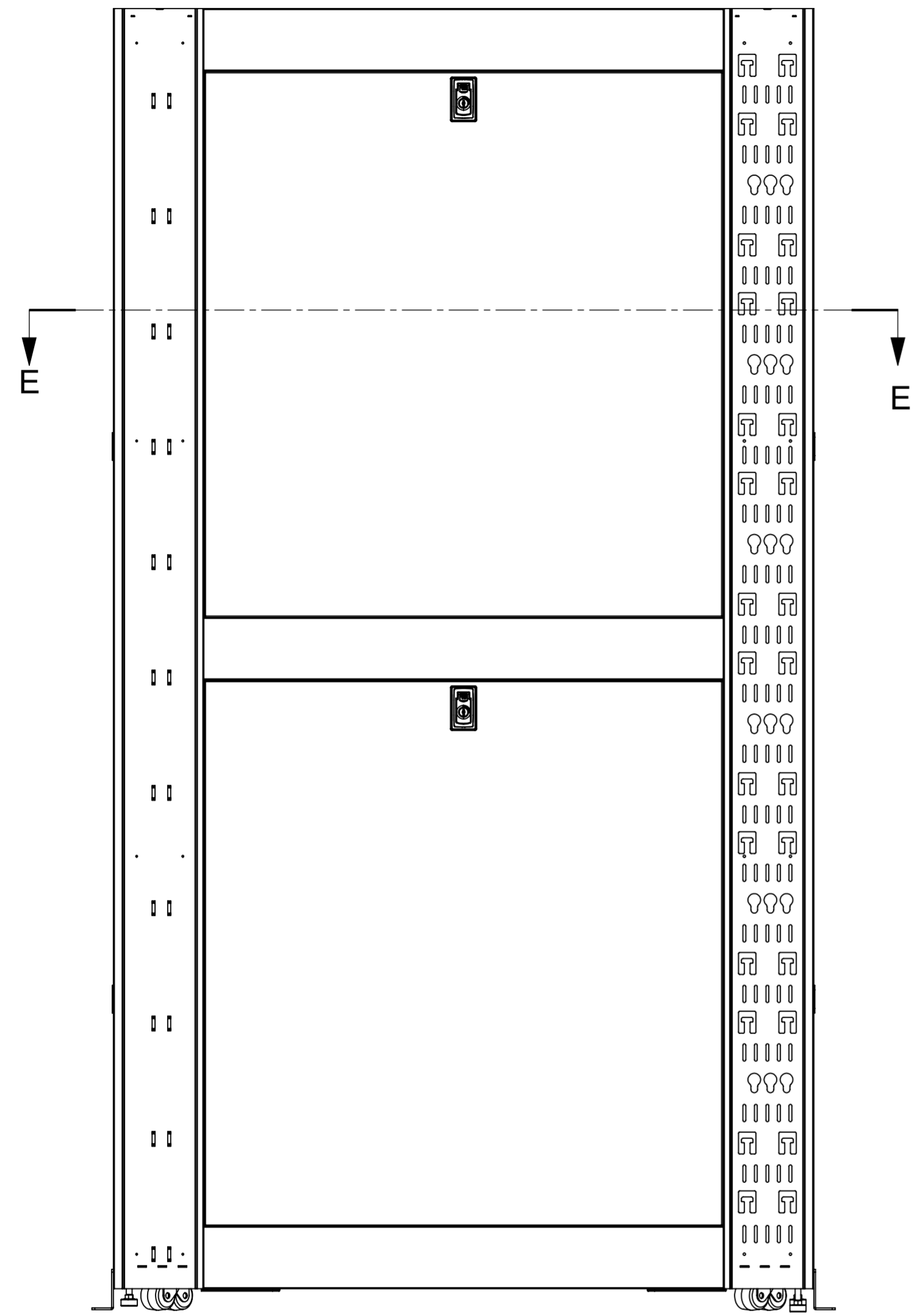
SECTION C-C

FRONT VIEW

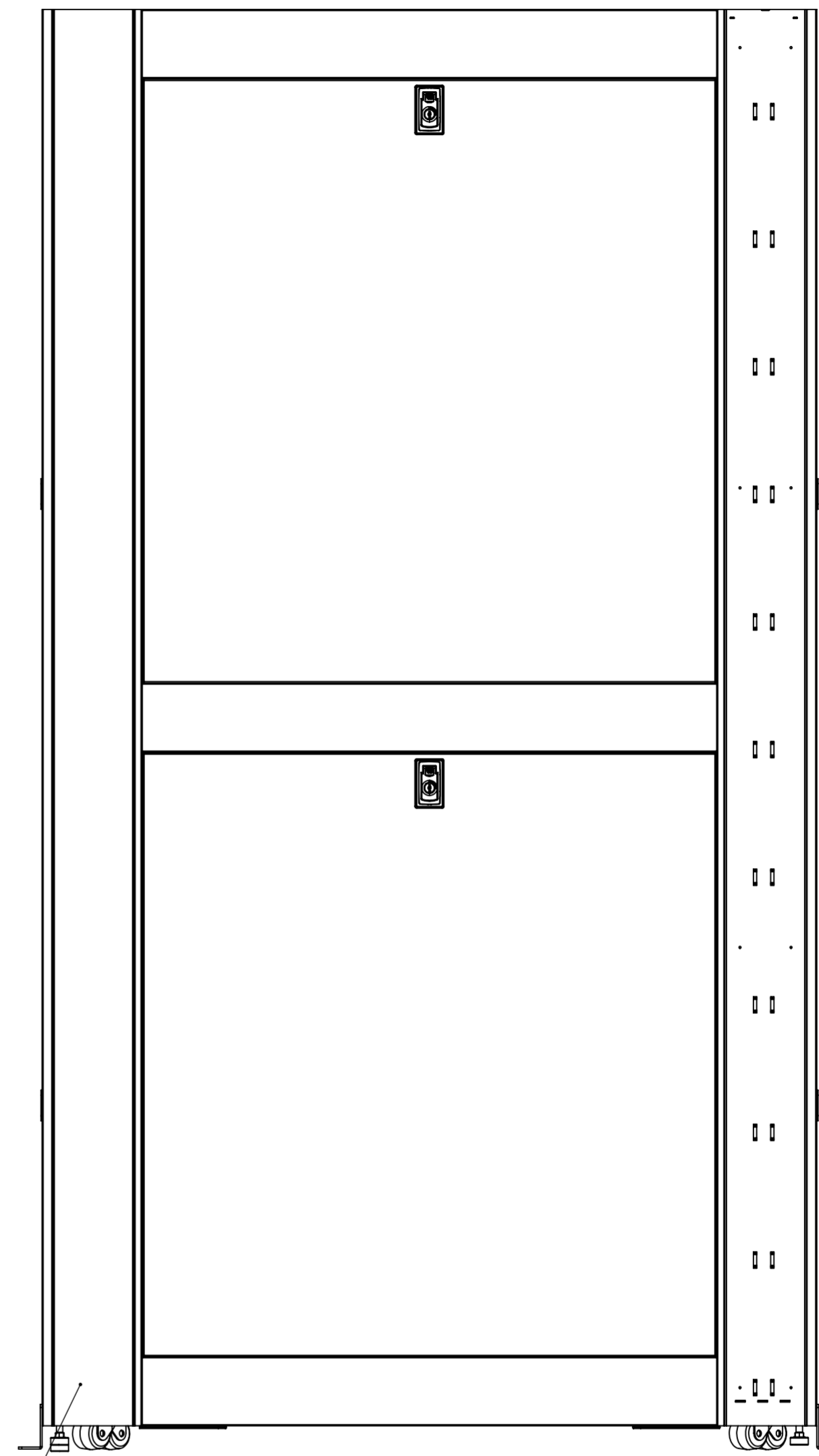
SIDE VIEW

	4670 AIR CENTER	PRODUCT LINE	STANDARD CABINET	ENGINEER	FANCY FAN	CRG DATE	2020-03-24
	CIRCLE REV. 02	PART NUMBER	ECA-DIG-61248-CD	DRAWN	FANCY FAN	REV DATE	2020-03-24
		DESCRIPTION	120KG W/O DOORS	ITEM WEIGHT (REFERENCE ONLY)		REV	1
UNITS: MM	INTERPRET TO ASME Y14.100	SIZE: B	SCALE: 1:0	DO NOT SCALE DRAWING	SHEET		

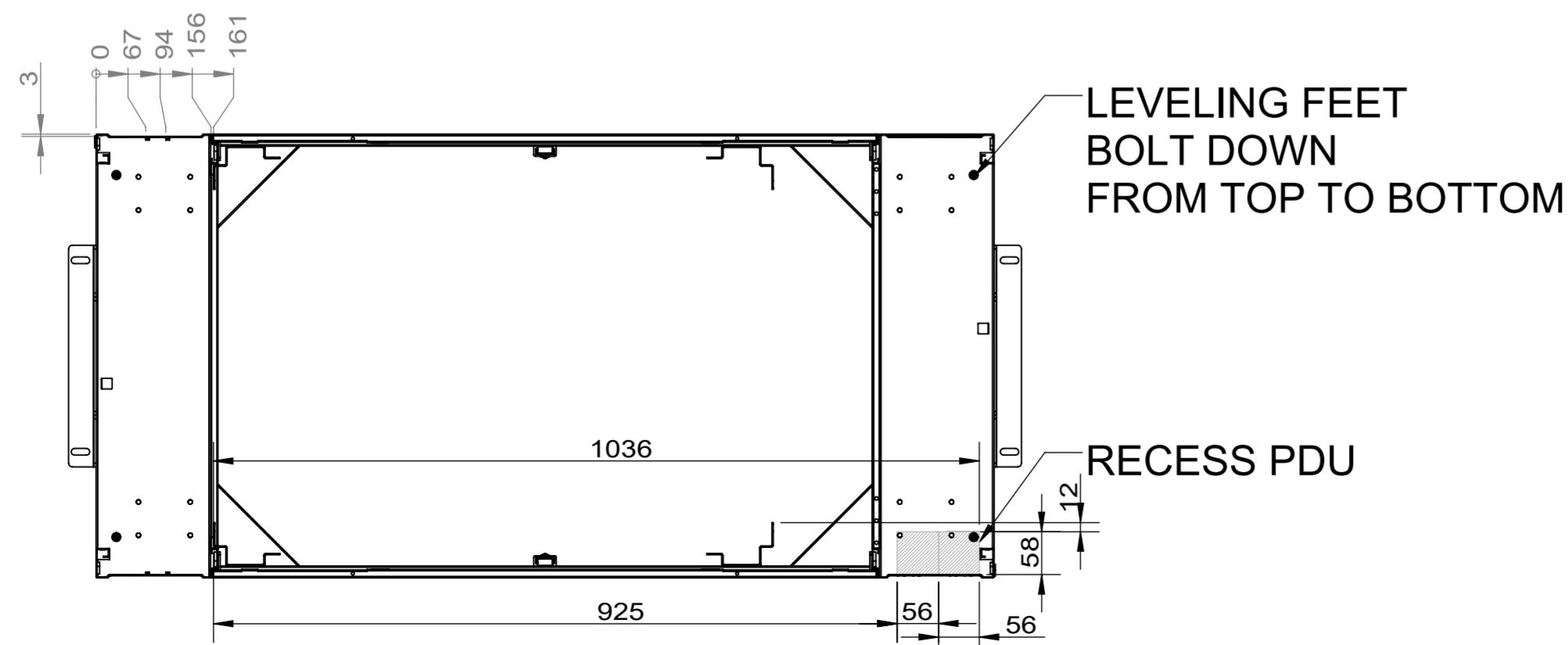
THIS DRAWING AND SPECIFICATIONS HEREIN ARE THE PROPERTY OF ENCONNEX LLC AND SHALL NOT BE COPIED, REPRODUCED OR USED IN WHOLE OR IN PART AS THE BASIS FOR THE MANUFACTURE OR SALE OF ITEMS WITHOUT THE WRITTEN PERMISSION OF ENCONNEX LLC. THIS DRAWING IS SUBJECT TO CHANGE WITHOUT NOTICE.



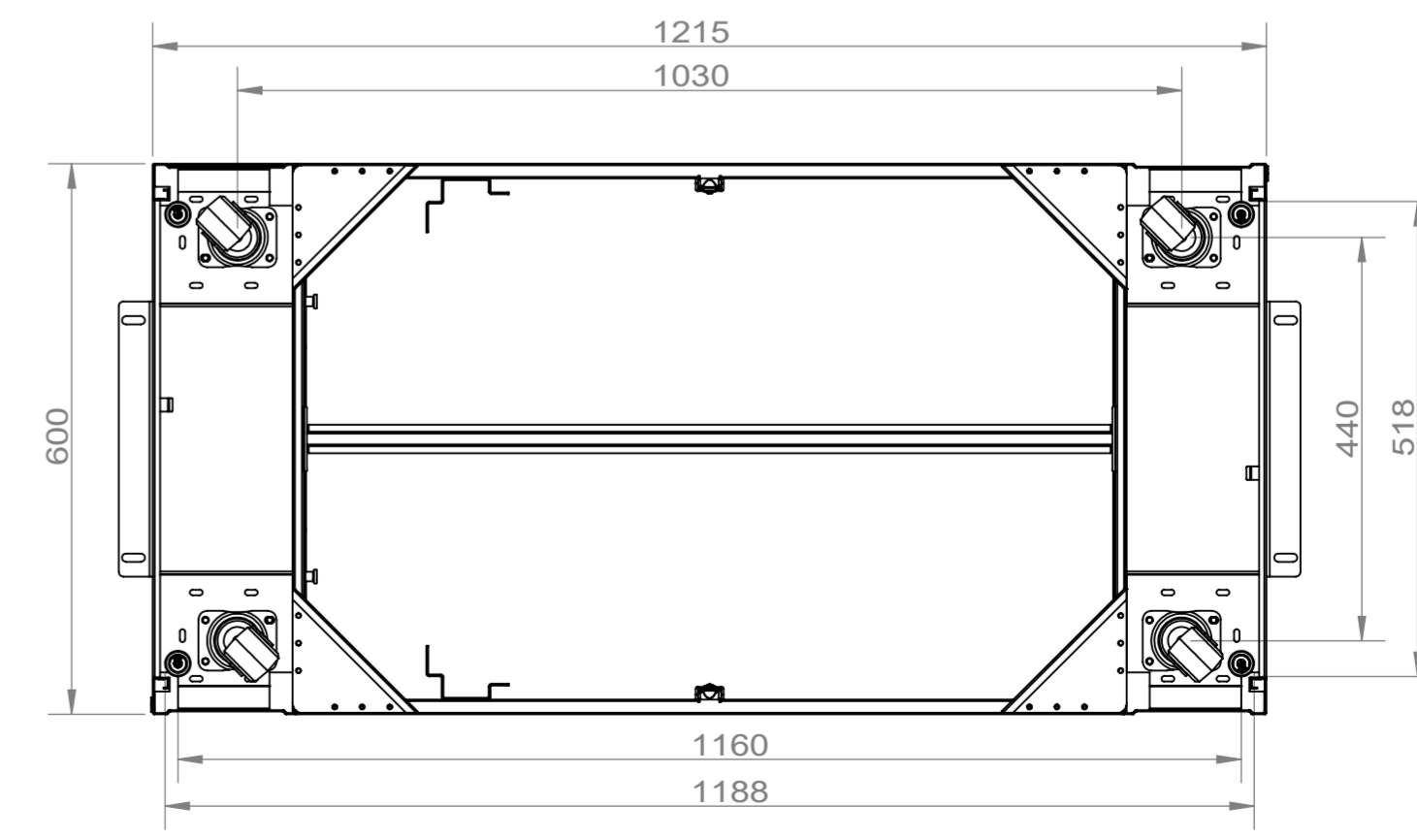
L BRACKET  
OPTIONAL



FRAME COVER  
OPTIONAL



SECTION E-E

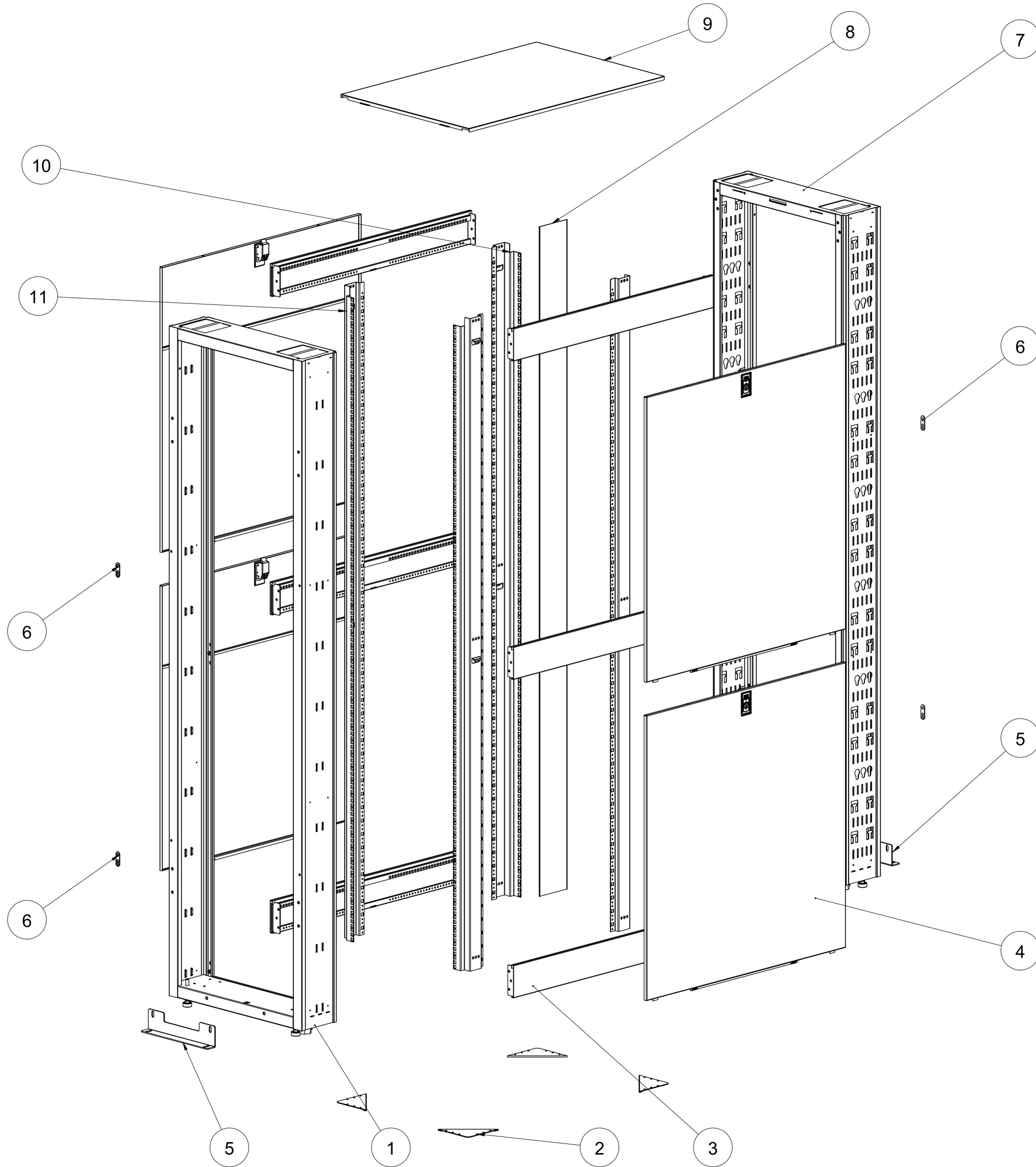


BOTTOM VIEW

	4670 AIR-CENTER	PRODUCT LINE	ENGINEER	ORG. DATE
	CIRCLE-RING	STANDARD CABINET	FANCY-FAN	2020-03-26
	NV89502	PART NUMBER	DRAWN	REV. DATE
		ECX-61248AB	FANCY-FAN	2020-03-26
		DESCRIPTION	ITEM WEIGHT (REFERENCE ONLY)	REV.
			93.40212151 KG	
UNITS: MM (IN)	INTERPRET TO ASME Y14.100	SIZE: B	SCALE: 1:0	DO NOT SCALE DRAWING



THIS DRAWING AND SPECIFICATIONS HEREIN ARE THE PROPERTY OF ENCONNEX LLC AND SHALL NOT BE COPIED, REPRODUCED OR USED IN WHOLE OR IN PART AS THE BASIS FOR THE MANUFACTURE OR SALE OF ITEMS WITHOUT THE WRITTEN PERMISSION OF ENCONNEX LLC. THIS DRAWING IS SUBJECT TO CHANGE WITHOUT NOTICE.



11	MOUNTING RAIL LEFT	2
10	MOUNTING RAIL RIGHT	2
9	ROOF ASSM	1
8	SIDE COVER(OPTIONAL)	1
7	REAR FRAME ASSM	1
6	BAYING KIT	4
5	L BRACKET(OPTIONAL)	2
4	SIDE PANEL	4
3	SIDE BRACE	6
2	BOTTOM STIFFENER	4
1	FRONT FRAME ASSM	1
ITEM	DES	QTY.

	4670 AIR-CENTER CIRCLE REV:0 NVS9502	PRODUCT LINE STANDARD CABINET	ENGINEER FANCY.FAN	ORIG DATE 2020-03-26
		PART NUMBER ECCX-DC-61248-CD	DRAWN FANCY.FAN	REV DATE 2020-03-26
	DESCRIPTION 120KG W/O DOORS	ITEM WEIGHT (REFERENCE ONLY) 120KG W/O DOORS	REV: 1	
UNITS:MM(IN)	INTERPRET TO ASME Y14.100	SIZE: B	SCALE: 1:0	DO NOT SCALE DRAWING